

LED SCENELITE S18



Over 1130 lumens; > 620 lux @ 1 metre



Compact design covering over 20m²



Solid aluminium base



Multi-voltage (10-32V)



Waterproof to IP67



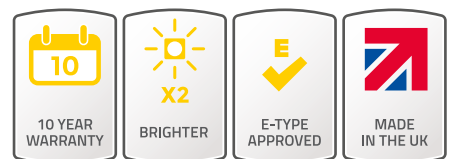
E-type approved



TECHNICAL SPECS OVERLEAF 
SEPTEMBER 2016



DESIGNED FOR MULTI-SECTOR APPLICATIONS



LED SCENELITE S18

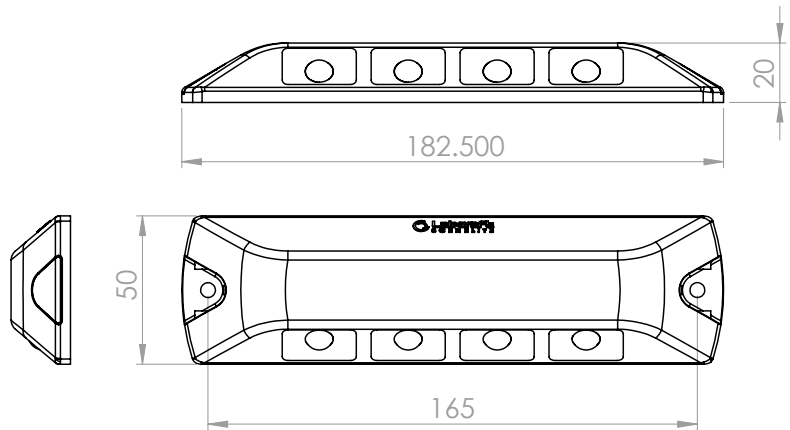
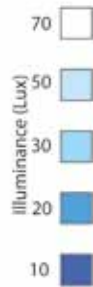
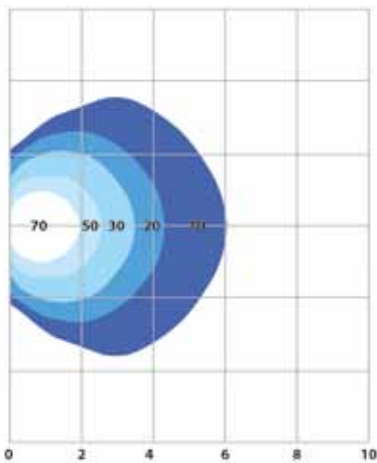
Over 1130 lumens - Long life, high intensity Cree LEDs produce a clean white light and creates a safe working environment, producing a light reading of over 620 lux at 1 metre.

Solid aluminium base - This gives a robust product and ensures the LEDs run as cool as possible for longer life.

Multi-voltage (10-32V) - Engineered to suit a broad range of vehicles and voltages; the circuit can withstand changes in voltage and will provide consistent light output.

Waterproof to IP67 - The tough outer enclosure and potting over more sensitive components provides protection against severe weather conditions and pressure washing.

Available in BLACK (SI8_4-3MV), WHITE (SI8_4-3MVWH) & YELLOW RAL1016 (SI8_4-3MVY).



SI8_4-3MV



SI8_4-3MVWH



SI8_4-3MVY



SPECIFICATION

ALL DIMENSIONS HAVE A TOLERANCE OF +/-1mm

		SI8_4-3MV (12V)	SI8_4-3MV (24V)
Voltage Range	VDC	10-32V	10-32V
Average Current	A	1	0.5
Light Output	lm	1136	1136
Watts	W	12.3W	12.3W
Weight	kg	0.14kg	0.14kg
Temp. Range	°C	-30 to +40	-30 to +40
IP Rating	IP	IP67	IP67

E & OE

