

# VANLITE V11



624 lumens of clean white light



Up to 7 x brighter than the original OEM light & half the power consumption



Fits into existing OEM aperture & connector



Integrated 2-way switch



Quick and easy to install - less than 30 seconds



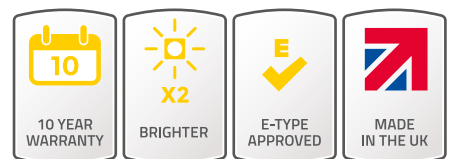
Compatible with Citroen, Peugeot



TECHNICAL SPECS OVERLEAF   
FEBRUARY 2018



DESIGNED FOR MULTI-SECTOR APPLICATIONS



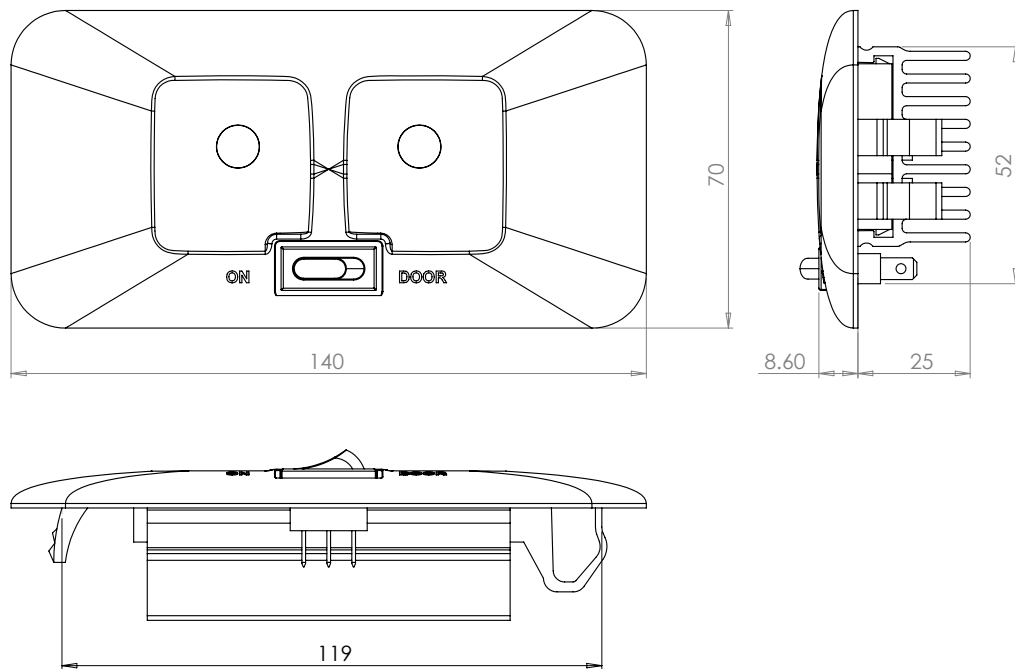
# V11 - Direct OEM Replacement

**Long life, high intensity Cree LEDs** - V11 uses the latest in LED technology offering optimum performance and extended life, reducing vehicle downtime and increasing productivity. The V11 uses only 6W to produce 624 lumens of clean white light, which is up to 7 times brighter than the original OEM light, whilst using only half the power consumption, creating a safer, more productive working environment.

**Fits into existing OEM aperture & connector** - The V11 carries exactly the same fitment specification as the original OEM light to enable quick & easy installation.

**Quick & easy to install** - The V11 is easy to install without the need for more holes or drilling. Simply pop out the original light, unplug and replace with the V11 - in less than 30 seconds.

**10 year warranty** - Built with the latest hi-tech heat management and hard-wearing components, the V11 comes with Labcraft's market leading 10 year warranty.



## SPECIFICATION

ALL DIMENSIONS HAVE A TOLERANCE OF +/-1mm

		12V	Compatibie Makes & Models
Voltage Range	VDC	10-32	<b>Citroen:</b> Berlingo, Dispatch (Pre 2017) <b>Peugeot:</b> Bipper, Expert (Pre 2017), Partner
Average Current	A	0.45	
Light Output	lm	624	
Watts	W	6W	
Weight	kg	TBC	
Temp. Range	°C	-30 to +40	
IP Rating	IP	IP50	

E & OE

