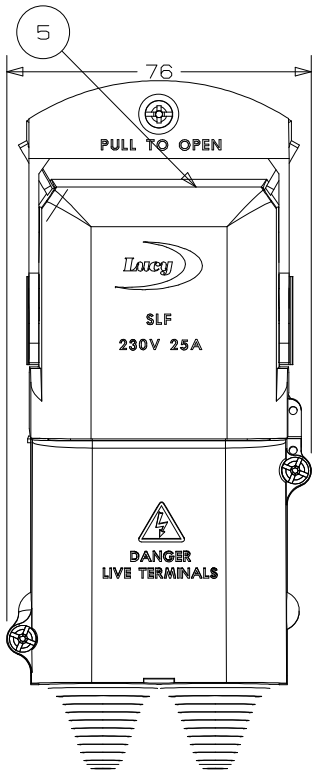
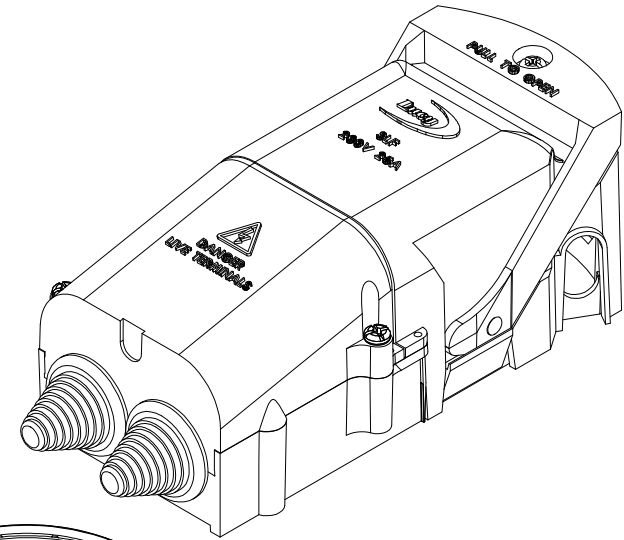
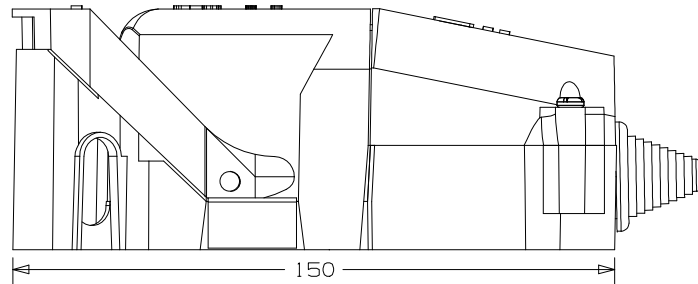
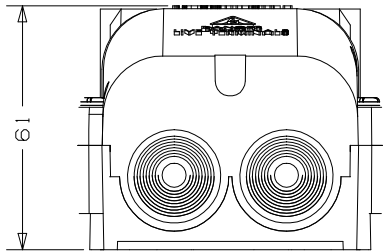
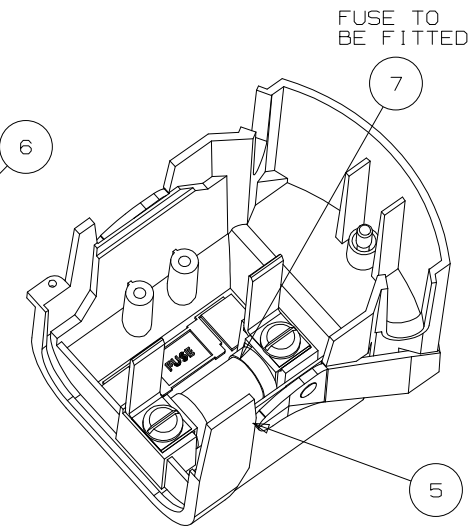
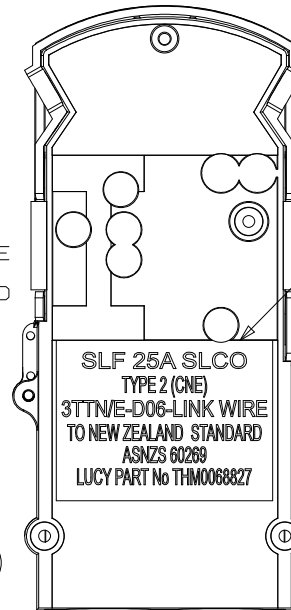
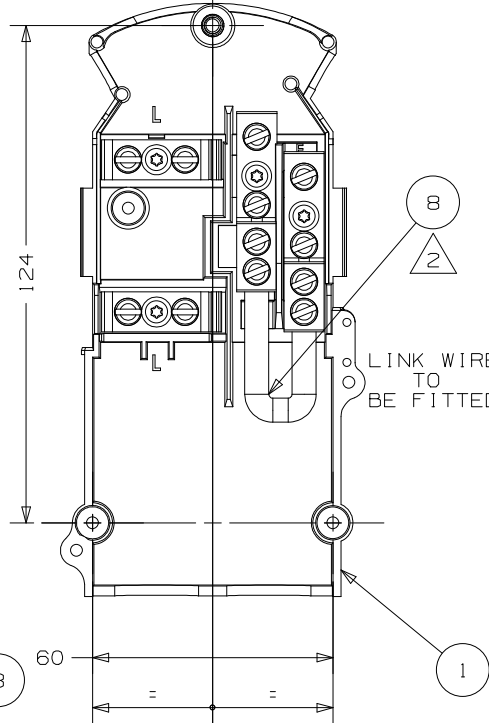
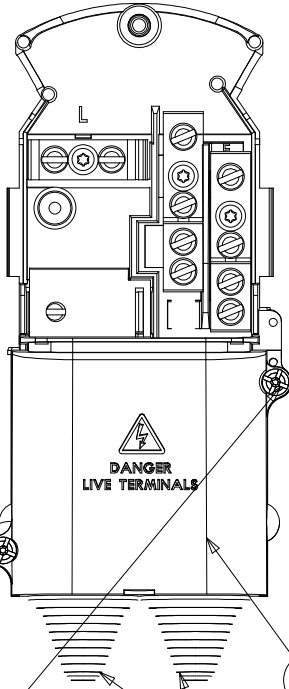


NOTE :  
ONLY TO BE SUPPLIED TO NEW ZEALAND



VIEW WITH FUSE CARRIER REMOVED

VIEW WITH FUSE CARRIER & RED COVER REMOVED



ECN NUMBER	16932	REPLACE BLACK LINK CABLE WITH A GREEN CABLE	STANDARD TOLERANCES: ISO 2768-M. FOR ADDITIONAL INFO. SEE DRG. 72219	© COPYRIGHT LUCY ELECTRIC (EMS). ALL RIGHTS RESERVED.	ALL DIMENSIONS IN MILLIMETERS UNLESS OTHERWISE STATED
MOD.	BROWN_TO		DRAWN	BARRETT_N	SLF 25A SLCO (CNE) 3TTN 3TTE-D06-LINK WIRE
MOD. APPRV.	NPB		DRAWN APPRV.	SAWYER_N	
DATE	15/09/16		DATE	25/05/16	
MATERIAL:	REFER TO BOM	FINISH:	00	ENGINEERING SOURCING CRITICALITY:	CATEGORY 3
				SHEET NO:	1 OF 1
				PROJECTION	1st ANGLE
				DO NOT SCALE FROM A3	IF IN DOUBT ASK
				THE REPRODUCTION OR TRANSMISSION OF ALL OR PART OF THIS WORK, WHETHER BY PHOTOCOPYING OR STORING IN ANY MEDIUM BY ELECTRONIC MEANS OR OTHERWISE, WITHOUT THE PRIOR WRITTEN PERMISSION OF THE OWNER, IS PROHIBITED.	
					THM0068827
					REV. 2

