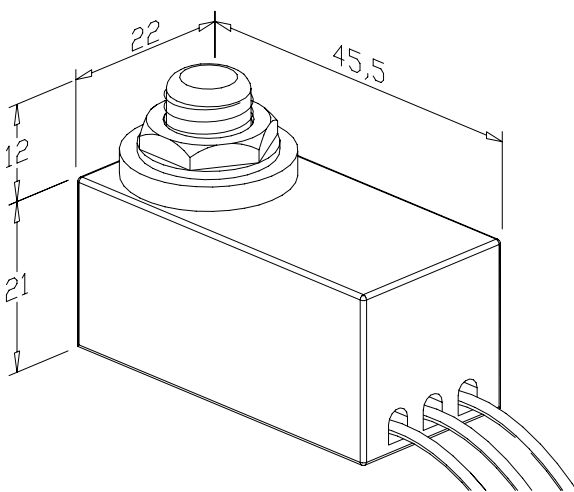


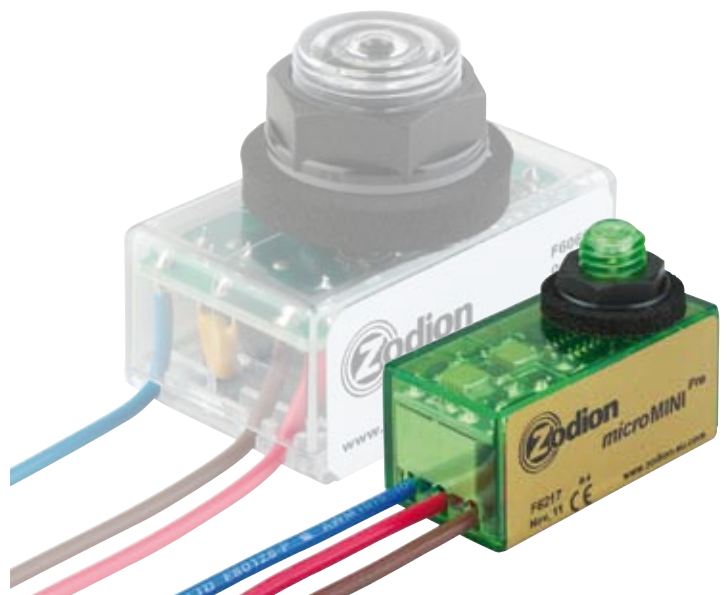
MicroMINIpro

specification

Model	MicroMINIpro
Type	Miniature
Electronic Solid State	
Electronic EM Relay Load Switching	✓
Supply Voltage 50/60Hz AC	198-264
70 Lux Switch-On Level	✓
55 Lux Option	
35 Lux Option	
Switching Differential	1:0.5 NEG
Maximum total load for discharge lighting (eg. HPS, MH) (watts)	250
Maximum total load for incandescent lighting (watts) / Maximum VA	600
Switching Delay In Seconds	10
Polycarbonate Enclosure (UV Stabilised)	✓
Power Consumption (watts)	<0.25
Sensor Type	Photo IC
Sensor Drift	Negligible
Fixing hole diameter	10mm
Max Operating Ambient Temp Range (°C)	-20/+75
IP Rating Installed	IP65
VDR Voltage Suppression	✓
Additional Features	Predictive Transfer



Dimensions



MicroMINIpro – smaller than conventional photocells
Shown next to the SS12A.