

5/7 Pin NEMA Compatible Photocell



Overview

- Special order option across the NEMA photocell range
- Specifically designed for photocells used with ANSI C136.41 5/7 pin NEMA sockets
- Wider diameter gasket with Mylar insulation barrier ensures optimised mechanical connection and performance

Features

- Compatible with 3/5/7 pin NEMA sockets.
- Conical design to aid self-cleaning and deter perching birds
- UV stable materials
- High impact resilient polycarbonate cone and base
- Low profile
- Maintains IP rating of original product

Construction

- Base and Cone – UV stable, UL94 V-0 flame retardant, impact resistant polycarbonate
- Terminals – Brass
- NEMA fixing



Performance

- See specific product details

Recommended settings

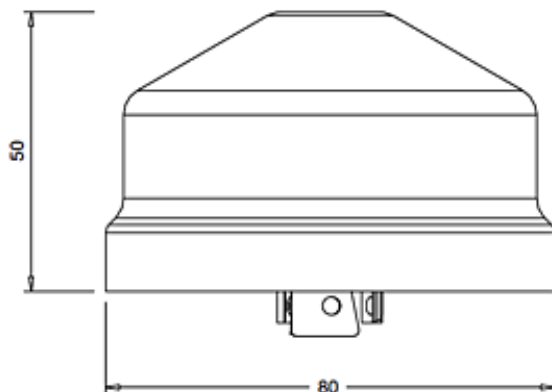
- Factory pre-set

Weights

- 0.082Kg

Dimensions

- Height = 50mm
- Dia = 80mm



www.lucyzodion.com

Sowerby Bridge

Station Road, Sowerby Bridge, HX6 3AF, United Kingdom
T: +44 (0)1422 317 337 E: sales@lucyzodion.com

