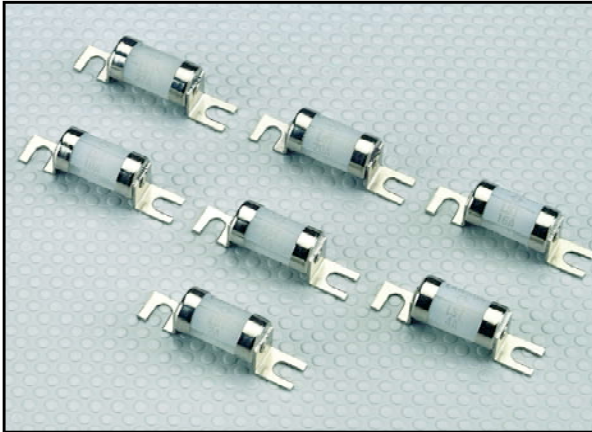


STREET LIGHTING CUT-OUT FUSE-LINKS

TYPE LST

230/240 Volt Street Lighting Cut-Out Fuse-Links to BS88: Part 1 • IEC60269-1

Rated voltage: 240V a.c. Breaking range and utilization category: gG Rated breaking capacity: 20kA at 240V a.c.



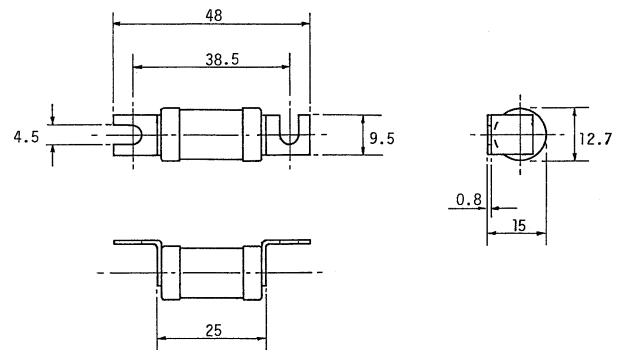
Lawson Type "LST" fuse-links are for use in single-phase street lighting cut-outs or similar installations. These fuse-links comply with UK Electricity Supply Industry Standards and BS7654.

Leading authorities, including Lloyds Register of Shipping and Electricity Supply Authorities, have approved fuse-links within this range.

A complementary range of solid/neutral links is available to suit our fuse-link range.

Current ratings and fixing centre

Current Rating (A)	List Reference	Fixing Centre (mm)	Carton Quantity	Carton Weight (Kg)
2	LST2	38.5	10	0.12
4	LST4			
6	LST6			
10	LST10			
16	LST16			
20	LST20			
25	LST25			
32	LST32			



Dimensions = mm

