

# LUNALUX



655 lumens



Multi-voltage (10-32V)



Robust aluminium casting with white powdercoat finish



Low profile design - only 15mm



Waterproof to IP67



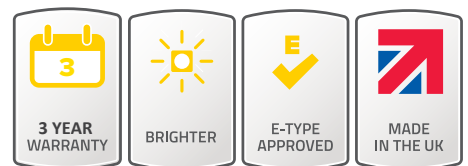
E-type approved



TECHNICAL SPECS OVERLEAF   
AUGUST 2020



DESIGNED FOR MULTI-SECTOR APPLICATIONS



# LUNALUX

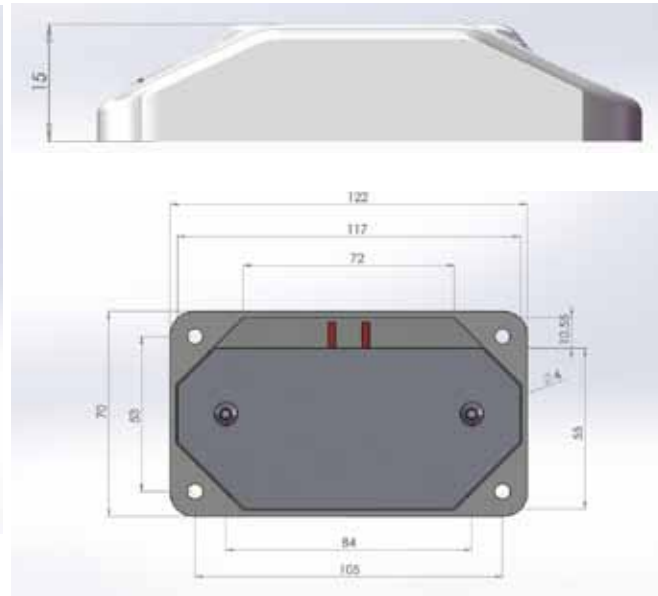
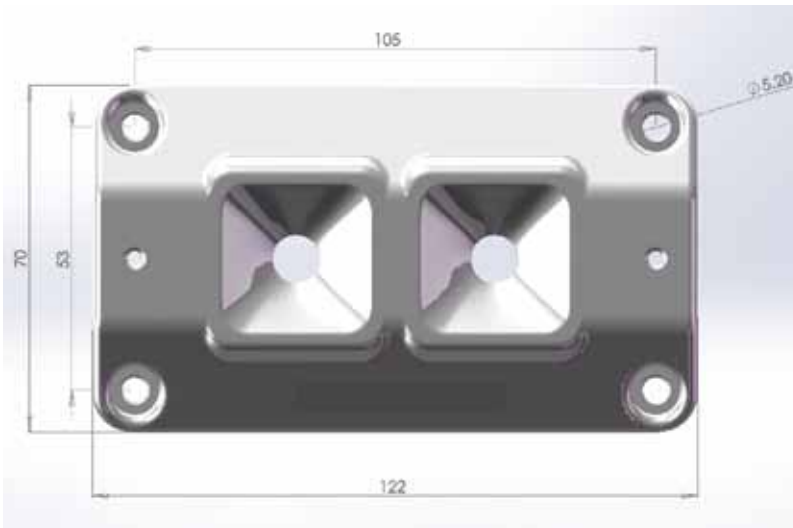
**Long life, high intensity Cree LEDs** - This LED product will give you 655 lumens of clean white light using only 6W of power. The colour temperature of the Cree LEDs is between 5,700K and 6,400K.

**Multi-voltage (10-32V)** - Engineered to suit a broad range of vehicles and their voltages, the circuitry can withstand changes in voltage and will provide a constant light output and therefore can be used in 12V and 24V vehicles. This product is also reverse polarity protected.

**Robust construction** - The solid aluminium casting with powder coat finish ensures the product is robust and that the LEDs run as cool as possible for longer life.

**Waterproof to IP67** - The tough outer enclosure and potting over more sensitive components provides protection against a variety of operating conditions, including pressure washing.

**Easy to install low profile design** - At just 15mm deep, this compact light can be fitted in a multitude of applications and range of different environments, including livestock trailers and refrigerated vehicles.



## SPECIFICATION

ALL DIMENSIONS HAVE A TOLERANCE OF +/-1mm

		PS3_2-3MV (10-32V)	PS3_2-3MV (10-32V)
Input Voltage	VDC	12V	24V
Average Current	A	0.45	0.24
Light Output	lm	655	655
Watts	W	6W	6W
Weight	kg	0.16	0.16
Temp. Range	°C	-30 to +40	-30 to +40
IP Rating	IP	IP67	IP67

E & OE

